

#7893

# 7-WAY FLAT (SPADE) PIN TRAILER CIRCUIT TESTER



## Tests Trailer Tow Circuits in Most Light and Medium-Duty Trucks and RVs

The 7-Way Flat (Spade) Pin Trailer Circuit Tester allows one man to test trailer circuits from the tow vehicle quickly and easily on most light and medium-duty trucks and RVs.

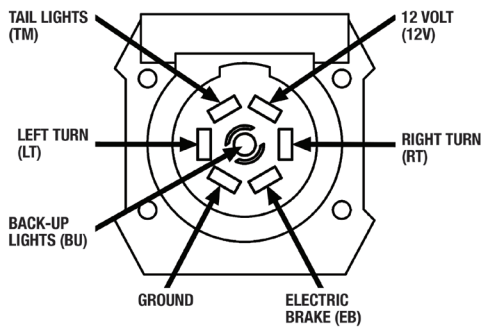
### Features and Benefits

- Plugs into vehicle-side socket
- LEDs indicate that each circuit is working
- Eliminates guesswork
- Winged grip for easy removal from electrical connector
- Weatherproof

Winged Grip  
for Easy Installation  
and Removal



7-WAY SPADE/FLAT VEHICLE FEMALE SOCKET (FRONT VIEW)



### Also Available:

- #8028 7-Way Flat (Spade) Pin Towing Maintenance Kit
- #8000 3-Way Trailer Adapter
- #TSTPK1 Multi Trailer Tester Jobber Pack