

- Install the side of the #8005-7 Fuse Box Connector Cable which resembles the size fuse it is to replace — small or large. Be sure that the opposite end of the connector is clear of any foreign objects that may short across it.
- Reconnect vehicle's negative battery terminal and begin testing procedures.

TROUBLESHOOTING A SHORT CIRCUIT

1. With the Fuse Saver® installed to the vehicle's fuse box, begin looking for the short circuit. When a short is present, or the amperage draw in the circuit exceeds the value of the fuse saver handle in use, the thermal breaker housed inside of each fuse saver handle will trip.
2. When the breaker trips, the switch located at the top of the handle will pop up, revealing a white tab.
3. Once the breaker has tripped, power to the circuit is removed in order to prevent damage to the circuitry.
4. To reapply power, simply depress the switch until it stays down by itself.

NOTE: *Thermal breakers require a cool-down time before they can be reset. If the breaker does not stay down when depressed, more cool down time is required. If the breaker trips immediately after its pressed down, this could indicate a direct short versus a circuit overload. Once the repair has been made, be sure to replace the fuse within the correct amperage rating, as found in the vehicle's owner's manual.*

SPECIAL NOTES

The reset and trip times may vary since these breakers are of the thermal type and are affected by room temperature and time in use. The faster the breaker is cycled, the longer it takes to reset. The chart located on the specifications page shows the average trip time ranges (the amount of time the breaker takes to open) at 77°F.

RETURN FOR REPAIR POLICY

Every effort has been made to provide reliable and superior quality products. However, in the event your instrument requires repair, Please contact Innovative Products of America, Warranty/Repair



Innovative Products of America® Incorporated
234 Tinker Street, Woodstock, NY 12498
888-786-7899 / 845-679-4500 • www.ipatools.com



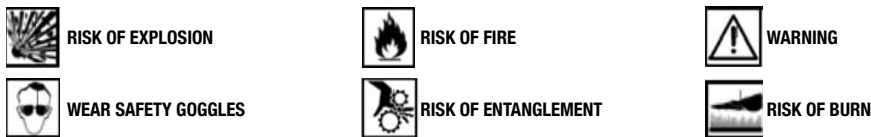
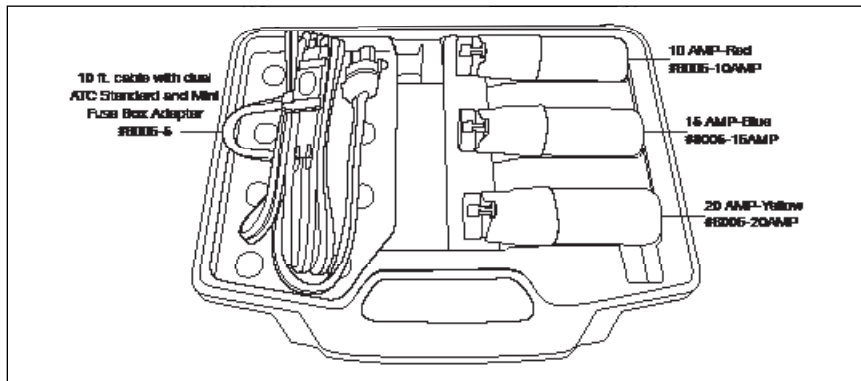
FUSE SAVER™
Model #8005
FUSE SAVER

USER MANUAL



10, 15, and 20 Amp Short Circuit Diagnostic Aid

WHAT'S INCLUDED



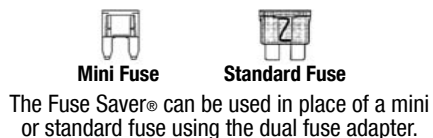
WARNINGS

- To prevent arcing and avoid unnecessary wear that voids your warranty, always disconnect battery before inserting the tool.
- If any arcing is found during installation or use, disconnect immediately and recheck system.
- Do not connect to areas that have been subjected to heat from loose fuse contact (i.e. melted plastic housing in area of fuse for the circuit to be tested).
- Do not connect to loose or corroded contacts. This can cause arcing, extreme heat, or fire.
- Do not assume that the fuse removed is the proper rated amperage for that circuit. Check vehicle's owner manual for proper fuse size.
- Do not store or use in temperatures exceeding 110°F or below 40°F.

THIS TOOL IS NOT TO BE STORED OR OPERATED IN WET CONDITIONS.

INTRODUCTION

The Fuse Saver® provides a fast and safe solution for troubleshooting short circuits without blowing fuses or damaging vehicle electrical systems. The kit includes resetting, thermal breaker handles which are color coded to match the vehicle fuses. Simply plug the Fuse Saver® directly into the fuse box in place of the troubled circuit's fuse via the supplied 10 ft. dual type fuse box cable adapter. When a short is present, the breaker will pop. The user must then manually reset the breaker to reapply power to the circuit.



SPECIFICATIONS

Operating Voltage: 10 - 14V DC
 Operating Temp: 40°F - 110°F
 Fuse Box Connector: 3.7" with 10 ft. Zip Cord (8005-7)
 Overload indicator: White Open Indicator
 Interrupting Characteristics: @ 77°F

| LOAD % | TRIP TIME |
|--------|-------------------|
| 100% | NO TRIP |
| 135% | < 1 Hour |
| 200% | 2.2 - 12 Seconds |
| 400% | .55 - 1.2 Seconds |
| 1000% | .12 - 3 Seconds |

Cased Product Weight: 2 Lbs
 Cased Dimensions: 12" (L) x 9.5" (W) x 2" (H)

Kit Includes:

- 10 Amp Fuse Saver Protection Handle, Red (#8005-10A)
- 15 Amp Fuse Saver Protection Handle, Blue (#8005-15A)
- 20 Amp Fuse Saver Protection Handle, Yellow (#8005-20A)
- Dual Sided Fuse Box Connector Cable (#8005-7)
- Blow-Molded Case

Available Separately:

- 5 Amp Breaker Handle (#8005-5)
- 30 Amp Breaker Handle (#8005-30)
- BuzzAlert™ Alert Module (#8011)
- Additional 10 Ft. Extension Power Cord (#8005-EXT)
- Fuse Box Adapter Kit (#8014)

PREPARATIONS FOR USE

Before inserting the Fuse Adapter into the fuse box:

- Read all warnings.
- Disconnect the negative battery terminal on the vehicle.
- Determine which circuit you want to test and what amperage rating the manufacturer requires for this circuit. (Verify proper fuse size by checking the vehicle's owners manual.)
- Remove and inspect the fuse, as well as the fuse connection identified as the troublesome circuit. Do not use the tool if a meltdown is found at the fuse terminal connection.
- Verify that the connection for the fuse is free from corrosion and that the plastic insulation of the fuse box is not blistered or deformed from heat. (If this is the case, replace fuse box and internal connectors before proceeding.)
- Always install #8005-7 Fuse Box Connector Cable with the breaker handle connected.
- Select a breaker which matches the manufacturer's amperage requirement for the specific circuit to be tested and connect it to the female end of the Fuse Box Connector Cable. Handles are color coded for easy selection.