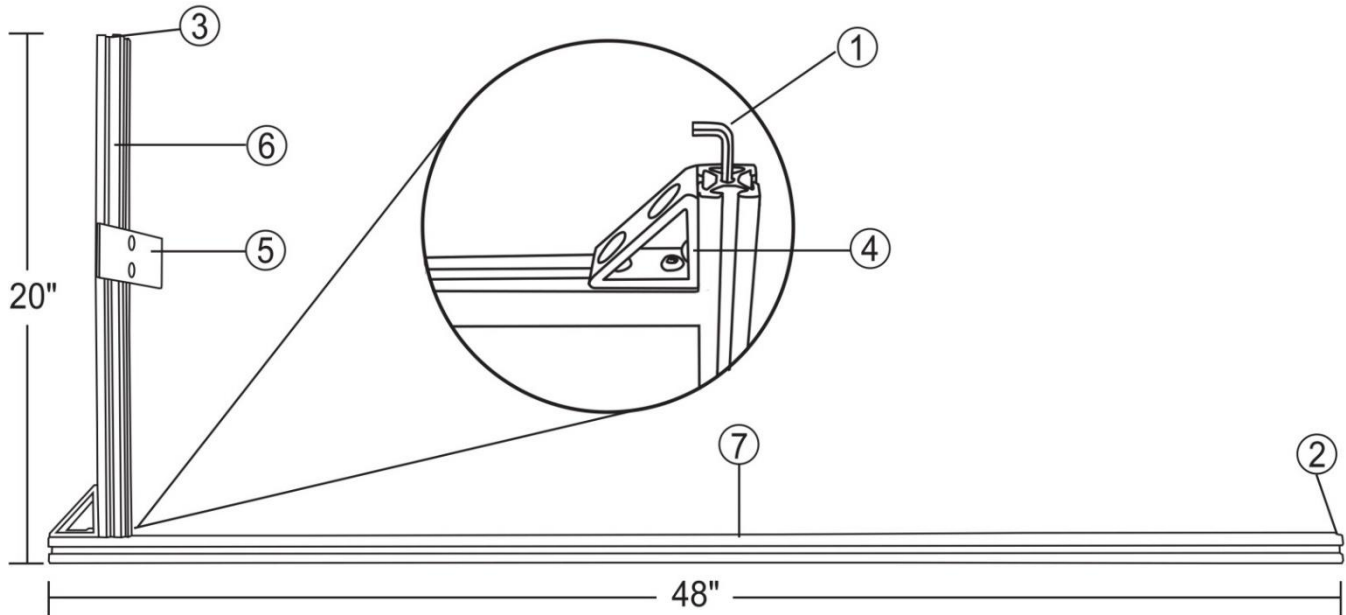


Product Parts List

Part #(s): #9067/9068	Product Name(s): Tire Comparator™ Type II and Type III	Rev#: A-01-01
		Date: 6-1-2017



#	IPA Part #	Description	Quantity	Field Replaceable?	Reorder Part #
1.	ALLEN-4MM	4mm Allen Key	1	Y	ALLEN-4MM
2.	009066-5	Plastic Boot	1	Y	009066-5
3.	009066-4	1" x 1" x 1/8" Square Plastic Cup	1	Y	009066-4
4.	009066-1	90° Gusset	1	Y	009066-1
5.	ALU0003	1/4" Thick Sliding Gauge and Screws for #9067	1	Y	K009068-GLPT
5.	ALU0004	1/8" Thick Sliding Gauge and Screws for #9068	1	Y	K009067-GLPT
6.	ALU0002	20" Aluminum Arm	1	Y	9067-20ARM-AS
7.	ALU0002	48" Aluminum Arm	1	Y	9067-48ARM-AS